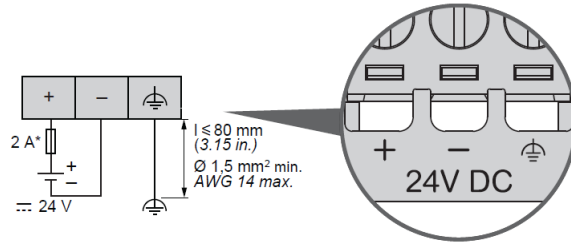


M221 Wiring

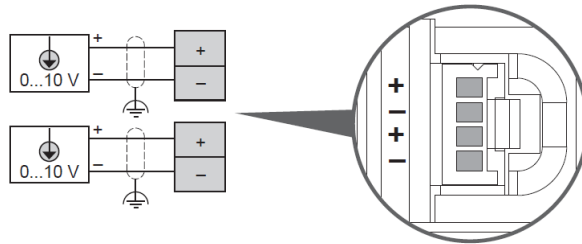
Power Supply

M221 logic controllers can be powered using 24VDC or 100-240VAC. All M221 book controllers are powered by 24V DC. The connector is on the bottom of the unit.



Analog Inputs

All M221 controllers have two independent 0-10V analog inputs. These are located under the cover at the top left of the unit (it has the QR code on it). The wiring is as shown.

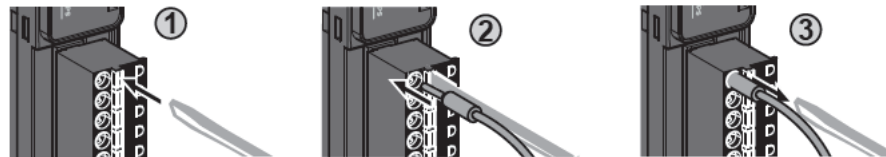


I/O Connectors

There are three types of connector for the M221 Logic controller I/O.

Screw terminals allow each wire to be fitted and a screw will hold the wire in place.

Spring terminals allow the wires to be more easily inserted or extracted.



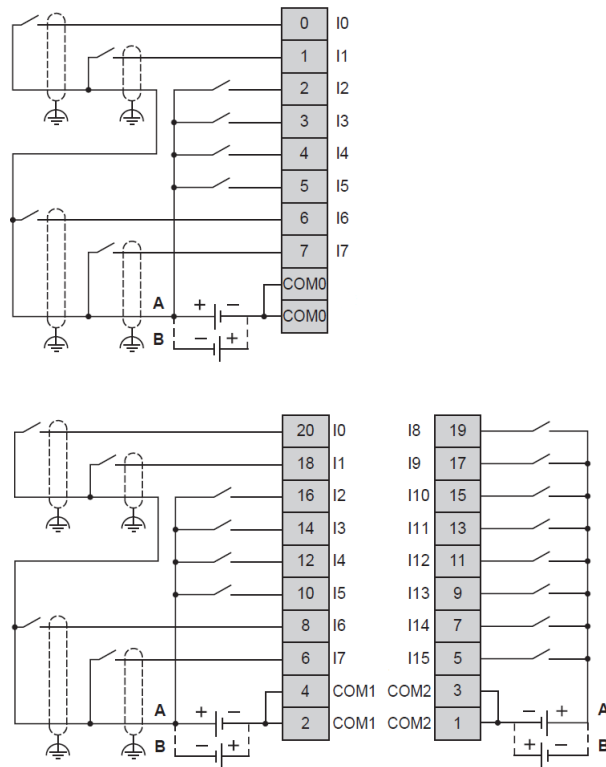
HE10 connectors are a standard connection for Schneider PLCs and controllers. They allow high density connection so are ideal for the 32 I/O version of the M221. This connector does require a special cable and different types are available - see the catalog for details of part numbers.

In all cases, the terminal block can be unplugged, allowing the wiring to be easily removed from the M221.

M221 Wiring (cont.)

Input Wiring

The wiring for the 8 and 16 input versions of the M221 Logic Controller are shown below.

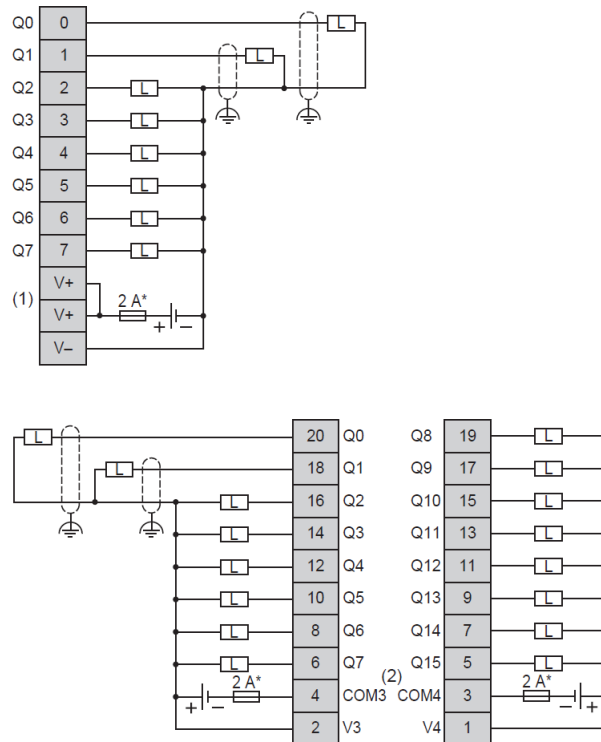


The first two inputs are shown shielded as they can be used for high speed pulse inputs so should be protected from noise. If these are used as normal outputs, they need not be shielded.

M221 Wiring (cont.)

Output Wiring

The wiring for the 8 and 16 output versions of the M221 Logic Controller are shown below.



The first two outputs are shown shielded as they can be used for high speed pulse outputs so should be protected from noise. If these are used as normal outputs, they need not be shielded.

For the relay output version of the M221, the outputs need not be shielded as they cannot be used for high speed pulse output.

